



TAG A LONG

ANR - AIR TILT, NO RAMP 20, 25, 30 TON

SHOWN WITH OPTIONAL EQUIPMENT

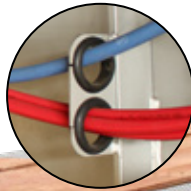
Grote Ultra Blue lighting system with standard LED lights that includes warranty on all harnesses and lights.



Floor boards bolted down with clips. Allows movement in the floor when loading and unloading equipment and reduces customers drilling excessive holes.



All electrical components are secured to chassis through rubber grommets. This allows easy access for maintenance and reduces cost over life span of the trailer.



Chassis is steel shot blasted, painted with PPG industrial coating and oven-baked for 75 minutes at 145 degrees.



Hutch 9700 suspensions on all models.



3030 brake chambers on all axles.



Hub Alert heat detection system on the axles.



Haldex platinum brake system includes warranty on all components including slack adjusters, brake chambers and valves.

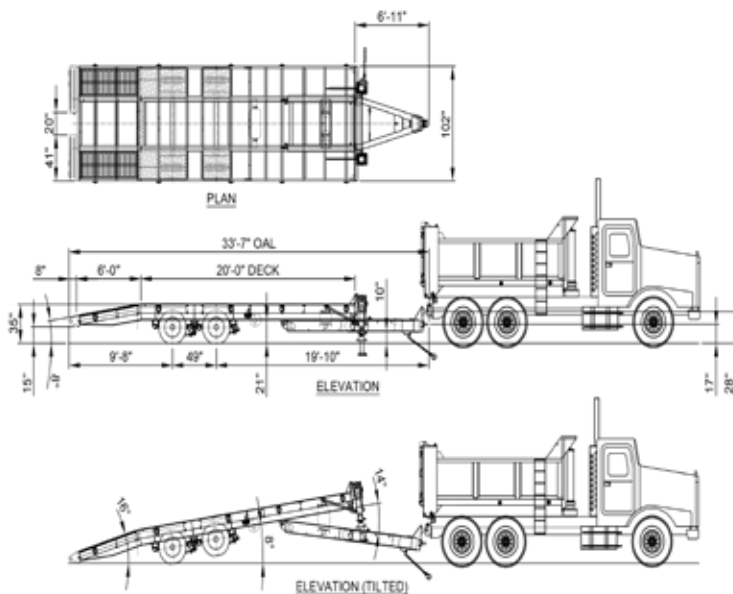


Rev. 0



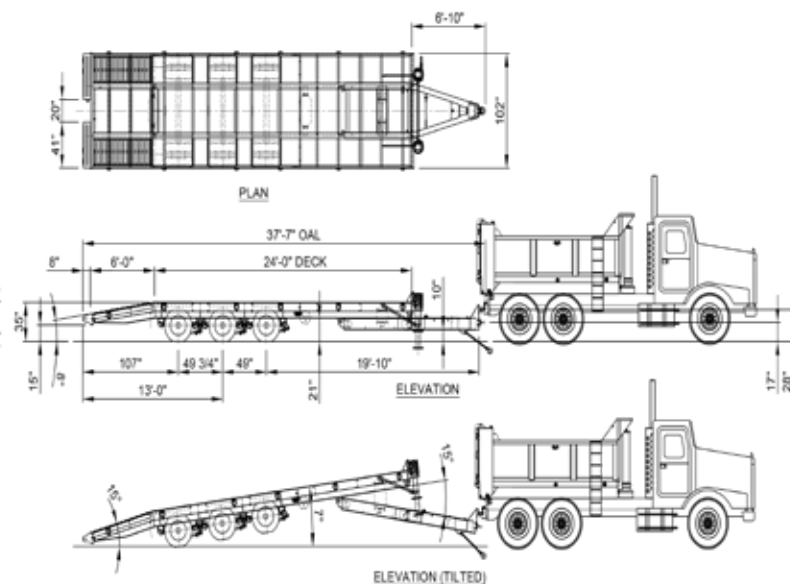
D I F F E R E N T B Y D E S I G N

29 Hawkins Road, Centreville, NB E7K 1A4 · T 506 276-4567 · F 506 276-4380 · sales@bwstrailers.com



MODEL: 20ANR
20 TON TANDEM AIR TILT/NO RAMP
NOTE: ALL DIMENSIONS ARE LOADED & NOMINAL.

*weights shown in lbs.	GVWR	Rating in 4'	Rating in 8'	Rating in 10'	Rating in 15'	Weight
20ANR - 20' - 24' deck	51,000	15,010	20,900	22,900	36,000	9,820



MODEL: 25ANR
25 TON TRIDEM AIR TILT NO RAMP
NOTE: ALL DIMENSIONS ARE LOADED & NOMINAL.

*weights shown in lbs.	GVWR	Rating in 4'	Rating in 8'	Rating in 10'	Rating in 15'	Weight
25ANR - 20' - 24' deck	61,000	18,762	26,125	28,625	45,000	11,400

WARRANTY

1 YEAR BUMPER TO BUMPER

- Warrants that the specified BWS equipment will be free from defects in materials and workmanship, under normal use and service, for the period of the first 12 months of regular service post the date-in-service. This warranty extends only to the original first owner. It is not transferable and applies only to OEM installed components and equipment.

3 YEAR PAINT AND FINISH

- Steel shot blast
- Industrial top coat and oven baked finish is warranted against defects in materials and workmanship.
- Custom colors are subject to a 1 year warranty only.
- Does not cover against general wear and tear such as stone chips or fade as of 2016.

***CONDITIONS MAY APPLY.**

5 YEAR SUPER STRUCTURE

- Warrants the trailer main frame beams or "super-structure" (consisting of the top and bottom flanges, and their connecting web) to be free from defects in materials and workmanship, under normal use and service for a period of 5 years from the date-in-service only to the original first owner.

SUSPENSION

- Ridewell holds a 5 year warranty on all beams and bushings.
- Hutch has a 5 year warranty on manufacturer defects.

6 YEAR BRAKES

- Haldex Platinum Warranty to the 1st owner Life Seal equipped Haldex ABS component brake system slack adjusters/brake chambers (Haldex LifeSeal)/ABS system ECM & control valve. 6 year or one (1) million mile warranty against defects in material or workmanship.

7 YEAR LIGHTING

- Grote Ultra Blue
- 7 year warranty on the male pin harness
- 10 year warranty on tail lights

ADDITIONAL OPTIONS

ACCESSORIES

DUAL HOLLAND MARK V2 SPEED LANDING GEAR.

DECK

1 FT. ADDITIONAL MAIN DECK. (UP TO 4 EXTRA FEET)

114 IN. WIDTH EXCLUDING LOAD SECUREMENT DEVICES.

SWINGOUT OUTRIGGERS. (6 PER SIDE)

TILT DECK PACKAGE. (4 AIR BAGS)

LIGHTING / ELECTRICAL

AMBER FLASHING STROBE LIGHTS. (MOUNTED IN BUMPER)

LOAD SECUREMENT

EXTRA SIDE MOUNT D-RINGS, STRAPS WITH CHAIN & HOOK, WINCH TRACK, SLIDING WINCHES.

PAINT

RED, YELLOW, CUSTOM.

SUSPENSIONS / AXLES

ALUMINUM WHEEL PACKAGE 17.5

TIRE UPGRADE TO 235/75R 17.5

AIR RIDE SUSPENSION WITH VARIOUS LIFT OPTIONS.

49 OR 61 INCH SPREAD.

HEAVY DUTY FENDERS WITH OR WITHOUT GROUSER BAR.