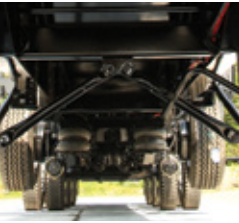




# Eastern Logger - ON/QC

## 48' & 51' Tridem/Quad Taper or Drop Frame



Let's face it, we're all working harder today than ever before. So why should you expect anything less from your equipment? Our thoughts exactly. That's why every **BWS** trailer is designed to meet your needs. Our seasoned team of designers and engineers bring together the most innovative technology available to give you a different product, a product that delivers value to you each day, even in extreme environments.

Rev.1



### FEATURES & BENEFITS

- Heavy duty front and rear bunks
- Taper frame or drop frame design allows for higher cubic capacity
- Ridewell Hi-Lift with 10" - 12" of lift
- Air gauge allows operator to be confident when trying to load legal
- 30,000 lb. suspensions with check chains
- Less downtime even in harsh conditions
- Formed pockets
- Fabricated stakes
- Optional lift axles
- Optional loader pipes
- Available in 5 tier
- 5 year structural warranty
- 3 year paint warranty

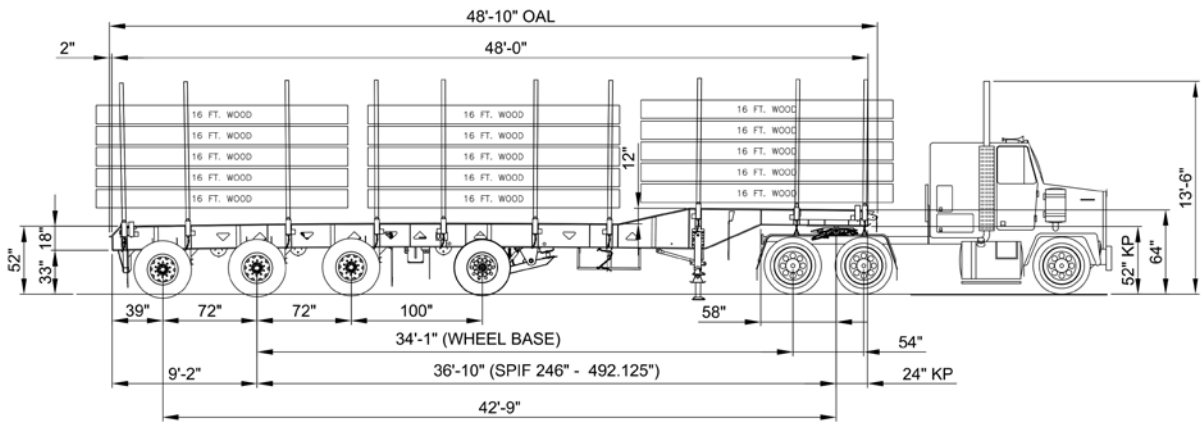
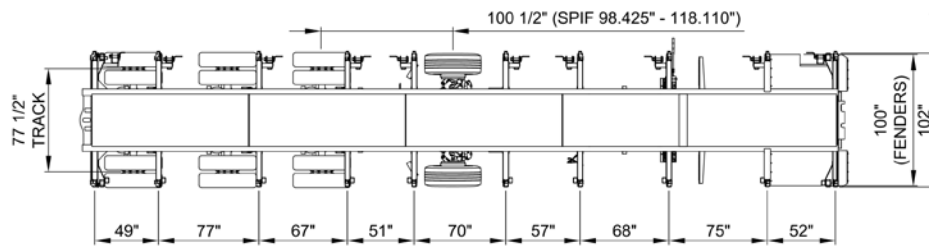


ISO 9001:2015  
CERTIFIED



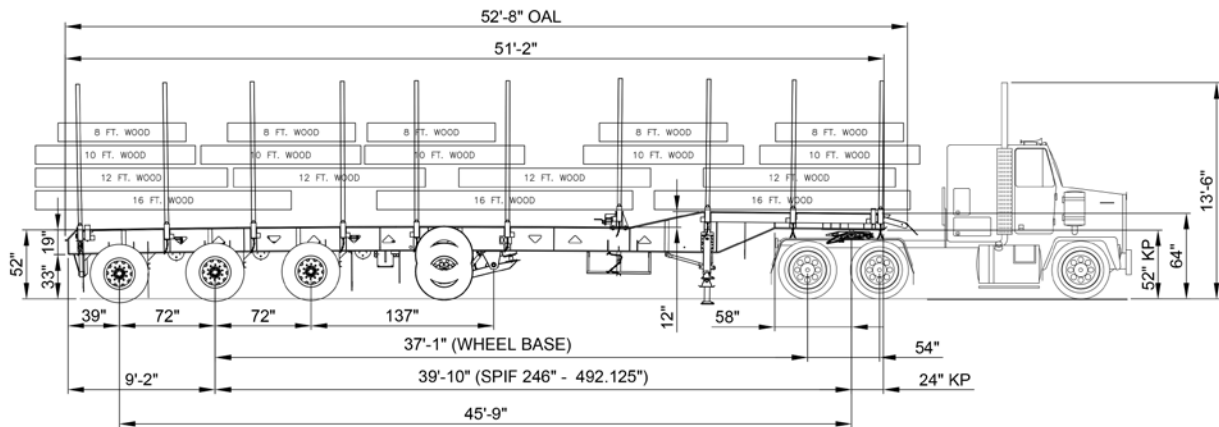
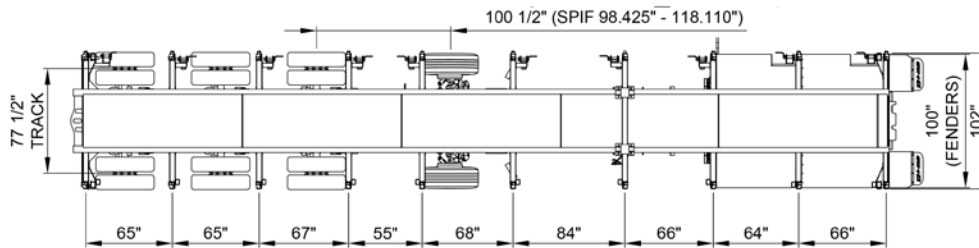
D I F F E R E N T B Y D E S I G N

29 Hawkins Road, Centreville, NB E7K 1A4 · Tel: (506) 276-4567 · Fax: (506) 276-4380 · sales@bwstrailers.com



ELEVATION

**MODEL: 48LD4X5T V2016 ONTARIO**  
 48 FT. QUAD 5 TIER DROP FRAME - ONTARIO  
 NOTE: ALL DIMENSIONS ARE LOADED & NOMINAL.



ELEVATION

**MODEL: 51LD4X5T V2016 ONTARIO**  
 51 FT. QUAD 5 TIER DROP FRAME - ONTARIO  
 NOTE: ALL DIMENSIONS ARE LOADED & NOMINAL.