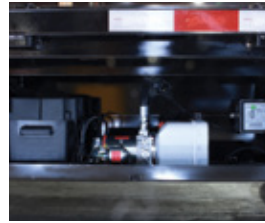




Gooseneck Trailer

15BWS2X G



Rev1



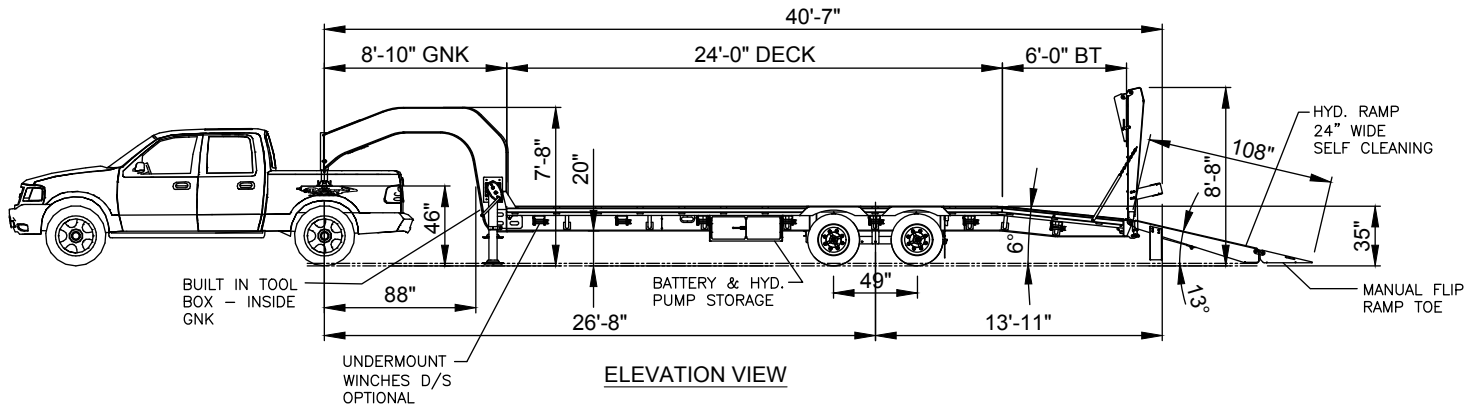
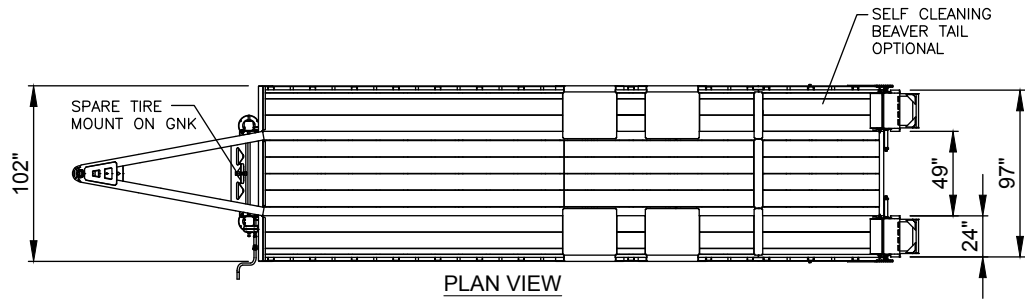
FEATURES & BENEFITS

- Electric over hydraulic ramps reduce injury from lifting
- Hitch height 46" +/- 6" king pin
- Rub rail and pockets on 24" centers
- Fabricated gooseneck and main beams with 3/8" top & 1/2" bottom flange
- Best weight to strength ratio in the industry
- Heavy duty 5" side rail
- Heavy duty cross member with knee brace
- Steel shot blast, PPG industrial top coat bake finish
- Heavy duty landing gear
- LED lighting
- 3 year Paint warranty
- 5 year Structural warranty
- 6 year Haldex brake warranty
- 7 year Ultra Blue lighting system



D I F F E R E N T B Y D E S I G N

29 Hawkins Road, Centreville, NB E7K 1A4 · Tel: (506) 276-4567 · Fax: (506) 276-4380 · sales@bwstrailers.com



MODEL: 15BWS2X G

15 TON TANDEM NON TILT / HYD. RAMPS

NOTE: ALL DIMENSIONS ARE LOADED & NOMINAL.

Authorized BWS Dealer