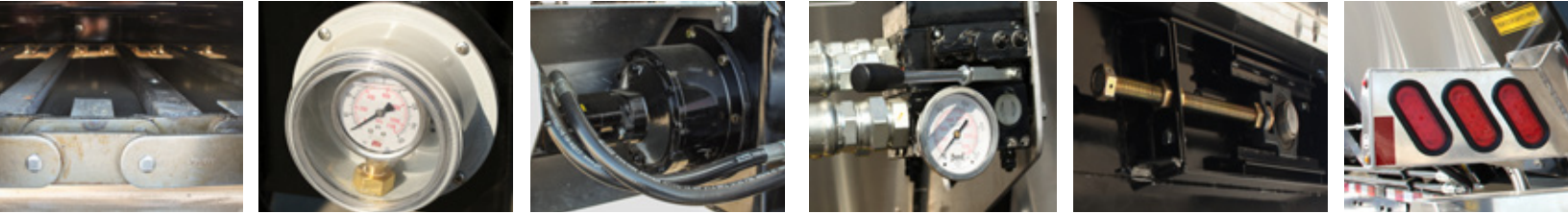




Live Bottom 48ALB4X



Let's face it, we're all working harder today than ever before. So why should you expect anything less from your equipment? Our thoughts exactly. That's why every **BWS** trailer is designed to meet your needs. Our Seasoned team of designers and engineers bring together the most innovative technology available to give you a different product, a product that delivers value to you each day, even in extreme environments.



Rev.4



INTRODUCING OUR NEW LIVE BOTTOM TRAILERS

Developed using the assistance of industry experts, these units are designed to go to work and stay at work. Very practical, very effective.

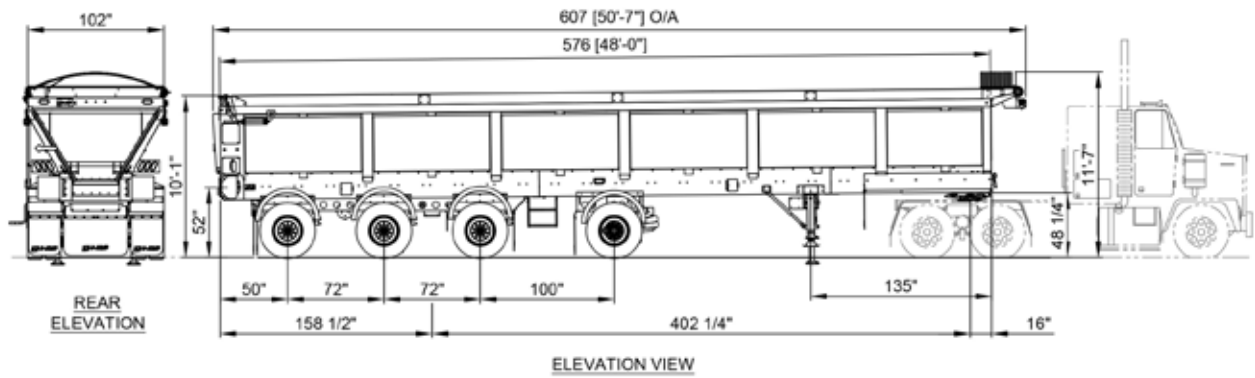
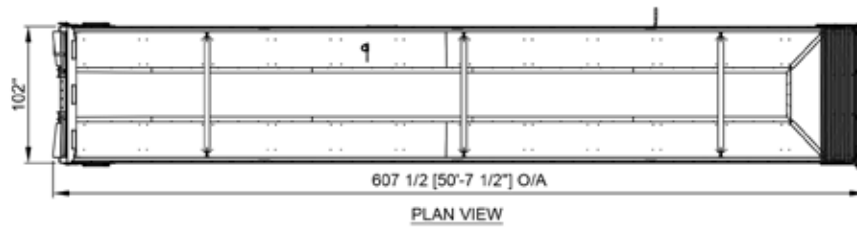
FEATURES & BENEFITS

- 450 Hardox Body
- Swing Roof Bows
- Access Ladder
- Front Chain Oilers
- Chain Belt Access Doors
- Ridewell Suspension
- Grote Ultra Blue Wiring
- Light Weight Components
- Steer Axle with Dual Tires
- SPIF Legal
- Reversible Control
- Dual Drive



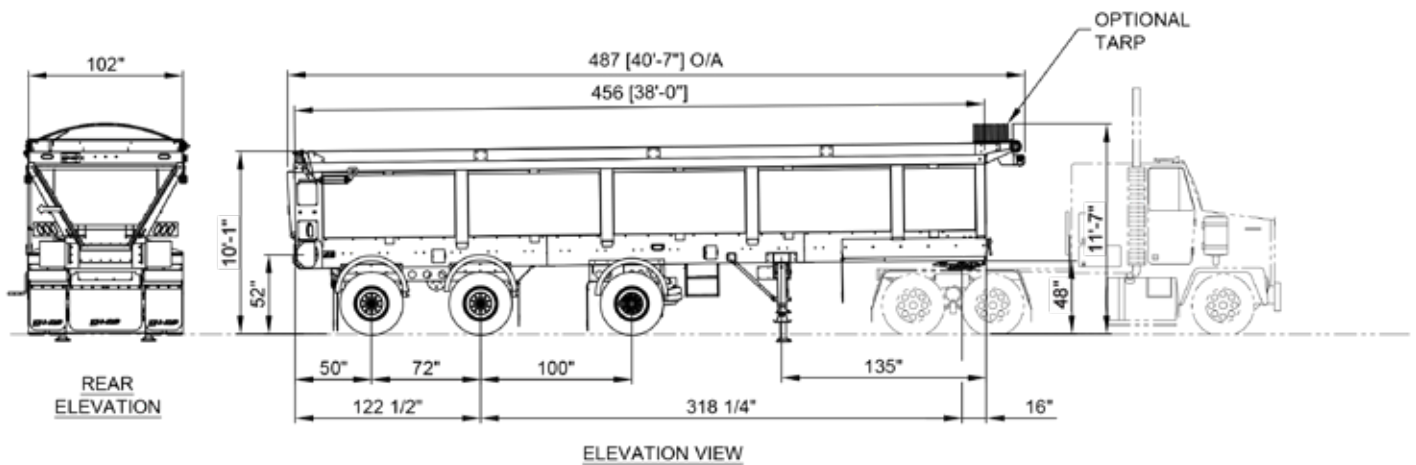
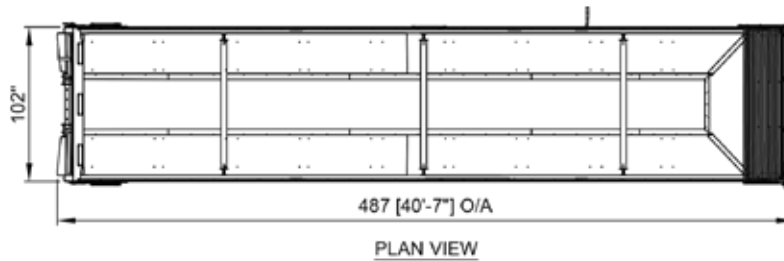
D I F F E R E N T B Y D E S I G N

29 Hawkins Road, Centreville, NB E7K 1A4 • Tel: (506) 276-4567 • Fax: (506) 276-4380 • sales@bwstrailers.com



MODEL: 48ALB4X LIVE BOTTOM TRAILER

NOTE: ALL DIMENSIONS ARE LOADED & NOMINAL.



MODEL: 38ALB3XS LIVE BOTTOM TRAILER

NOTE: ALL DIMENSIONS ARE LOADED & NOMINAL.